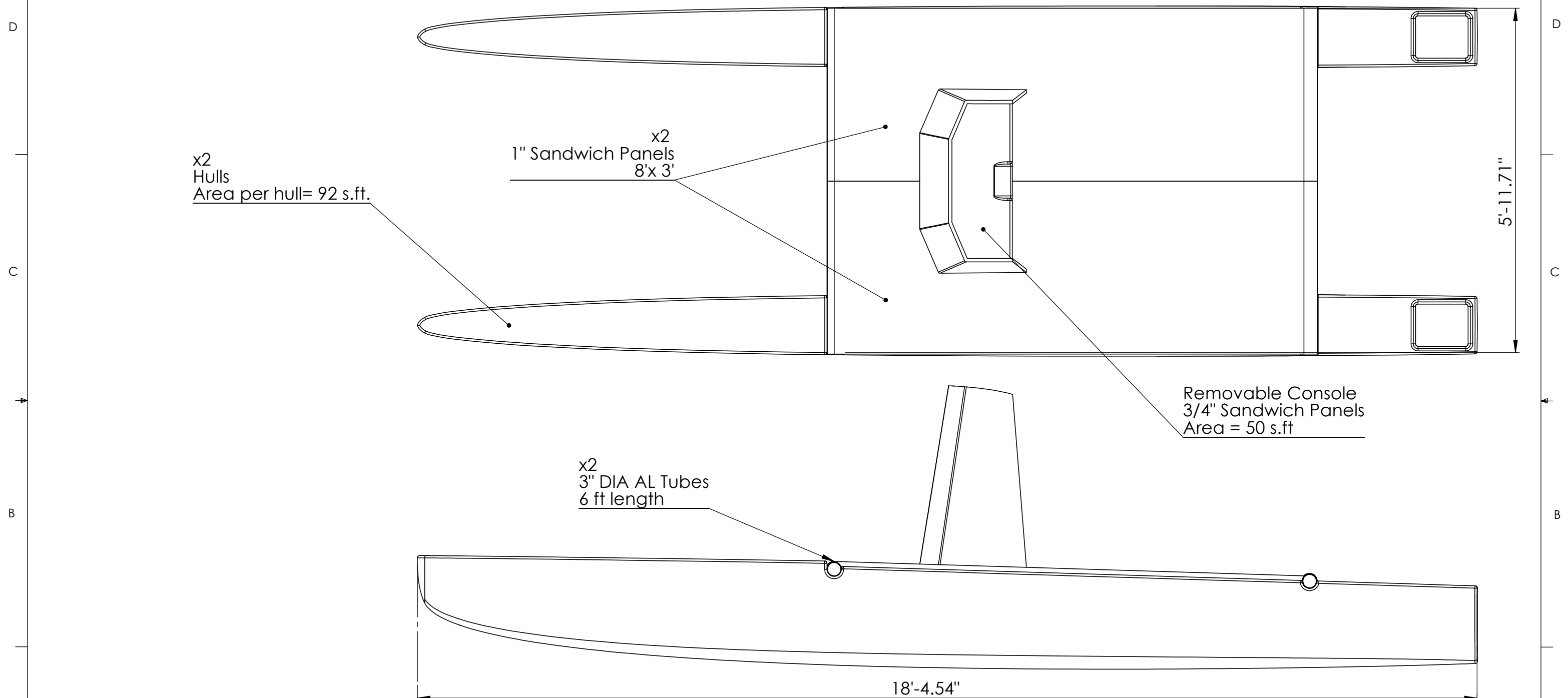


RFQ: For Quotation purposes only



x2
Hulls
Area per hull= 92 s.ft.

x2
1" Sandwich Panels
8'x 3'

Removable Console
3/4" Sandwich Panels
Area = 50 s.ft

x2
3" DIA AL Tubes
6 ft length

18'-4.54"

5'-11.71"

NOTES:

- 1.) MATERIALS: VINYL-ESTER/E-Glass/PVC Core (TBD).
- 1.) Quote for specified weight of 300 lbs
- 2.) Quote for boat built 20% lighter
- 3.) Quote for boat built 50% over specified weight.

UNLESS OTHERWISE SPECIFIED:		NAME	DATE
DIMENSIONS ARE IN INCHES		DRAWN	KJK 11/15/12
TOLERANCES:		CHECKED	
FRACTIONAL ±		ENG APPR.	
ANGULAR: MACH ± BEND ±		MFG APPR.	
TWO PLACE DECIMAL ±		Q.A.	
THREE PLACE DECIMAL ±		COMMENTS:	
INTERPRET GEOMETRIC TOLERANCING PER:			
MATERIAL			
FINISH			
DO NOT SCALE DRAWING			
TITLE: Wing Systems Associates, Ltd. 313 Centre Island Oyster Bay, NY 11771			
SIZE B	DWG. NO. Power Cat	REV	
SCALE: 1:50	WEIGHT:	SHEET 1 OF 1	